

Threaded fittings



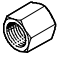




FESTO



Threaded fittings

Product range overview

FESTO







| Design | Version | Type | Connection D1 | | | Connection D2 | | | → Page/ Internet |
|---|---|--------|---------------|------------------------|------------------------|---------------|------------------------|------------------------|---------------------|
| | | | M thread | G thread ¹⁾ | R thread ¹⁾ | M thread | G thread ¹⁾ | R thread ¹⁾ | |
| Straight type | Blanking plug | | | | | | | | |
| |  | B | M3 | - | - | - | - | - | 6 |
| | | | M5 | | | | | | |
| | | | M7 | | | | | | |
| | | | - | G1/8 | | | | | |
| | | | | G1/4 | | | | | |
| | | | | G3/8 | | | | | |
| | | | | G1/2 | | | | | |
| | | | G3/4 | | | | | | |
| | | | G1 | | | | | | |
| | Sleeve | | | | | | | | |
| |  | NPFB-S | M5 | - | - | - | - | - | 12 |
| | | | - | G1/8 | | | | | |
| | | | | G1/4 | | | | | |
| | | | | G3/8 | | | | | |
| | | | G1/2 | | | | | | |
|  | QM | M5 | - | - | - | - | - | 10 | |
| | | - | G1/8 | | | | | | |
| | | | G1/4 | | | | | | |
| | | | G3/8 | | | | | | |
| | | | G1/2 | | | | | | |
|  | QM | M5 | - | - | M5 | - | - | 10 | |
| | | - | G1/8 | | | - | G1/8 | | |
| | | | G1/4 | | | | G1/4 | | |
| | | | G3/8 | | | | G3/8 | | |
| | | | G1/2 | | | | G1/2 | | |
| Reducing sleeve | | | | | | | | | |
|  | NPFB-R | - | G1/8 | - | - | G3/8 | - | 12 | |
| | | | | G1/2 | | | G3/4 | | |
|  | QMR | - | G1/8 | - | M5 | - | - | 11 | |
| | | | | G1/4 | | - | G1/8 | | |
| | | | | G3/8 | | | G1/4 | | |
| | | | | G1/2 | | | G3/8 | | |
| Extension | | | | | | | | | |
|  | NPFB-E... | - | G1/8 | - | - | G1/8 | - | 13 | |
| | | | | G1/4 | | | G1/4 | | |
| | | | | G3/8 | | | G3/8 | | |
| | | | | G1/2 | | | G1/2 | | |

1) Sealing of the parallel threaded fittings NPFB with thread sealing tape GWB-0,1 Part No. 9076 is recommended.

Threaded fittings

Product range overview

FESTO


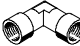
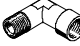


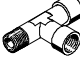
| Design | Version | Type | Connection D1 | | | Connection D2 | | | → Page/ Internet |
|---|---|---------|-------------------------------|-------------------------------|-------------------------------|---|---|---|---------------------|
| | | | M thread | G thread ¹⁾ | R thread ¹⁾ | M thread | G thread ¹⁾ | R thread ¹⁾ | |
| Straight type | Double nipple | | | | | | | | |
| |  | NPF-B-D | M5 | – | – | M5 | – | – | 14 |
| | | | M7 | – | – | – | G ¹ / ₈ | – | |
| | | | – | G ¹ / ₈ | – | – | G ¹ / ₈ , G ¹ / ₄ , G ³ / ₈ | – | |
| | | | – | G ¹ / ₄ | – | – | G ¹ / ₄ , G ³ / ₈ , G ¹ / ₂ | – | |
| | | | – | G ³ / ₈ | – | – | G ³ / ₈ , G ¹ / ₂ | – | |
| | | | – | G ¹ / ₂ | – | – | G ¹ / ₂ | – | |
| | | | – | – | R ¹ / ₈ | – | – | R ¹ / ₈ , R ¹ / ₄ , R ³ / ₈ | |
| | | | – | – | R ¹ / ₄ | – | – | R ¹ / ₄ , R ³ / ₈ , R ¹ / ₂ | |
| | | | – | – | R ³ / ₈ | – | – | R ³ / ₈ , R ¹ / ₂ | |
| | | | – | – | R ¹ / ₂ | – | – | R ¹ / ₂ , R ³ / ₄ | |
| | – | – | R ³ / ₄ | – | – | R ³ / ₄ | | | |
| | – | – | R1 | – | – | R1 | | | |
| |  | E | M3 | – | – | M3 | – | – | 8 |
| | | | M5 | – | – | M5 | G ¹ / ₈ | – | |
| M7 | | | – | – | – | G ¹ / ₈ | – | | |
| – | | | G ¹ / ₈ | – | – | G ¹ / ₈ , G ¹ / ₄ , G ³ / ₈ | – | | |
| – | | | G ¹ / ₄ | – | – | G ¹ / ₄ , G ³ / ₈ , G ¹ / ₂ | – | | |
| – | | | G ³ / ₈ | – | – | G ³ / ₈ , G ¹ / ₂ | – | | |
| – | | | G ¹ / ₂ | – | – | G ¹ / ₂ , G ³ / ₄ | – | | |
| – | G ³ / ₄ | – | – | G ³ / ₄ | – | | | | |
|  | ESK | – | – | R ¹ / ₈ | – | – | R ¹ / ₈ , R ¹ / ₄ , R ³ / ₈ | 9 | |
| | | – | – | R ¹ / ₄ | – | – | R ¹ / ₄ , R ³ / ₈ , R ¹ / ₂ | | |
| | | – | – | R ³ / ₈ | – | – | R ³ / ₈ , R ¹ / ₂ | | |
| | | – | – | R ¹ / ₂ | – | – | R ¹ / ₂ | | |
| Reducing nipple – Female thread/male thread | | | | | | | | | |
|  | NPF-B-R | M5 | – | – | – | G ¹ / ₈ | – | 15 | |
| | | – | G ¹ / ₈ | – | – | G ¹ / ₄ , G ³ / ₈ | – | | |
| | | – | G ¹ / ₄ | – | – | G ³ / ₈ | – | | |
| | | – | G ³ / ₈ | – | – | G ¹ / ₂ | – | | |
| Reducing nipple – Male thread/female thread | | | | | | | | | |
|  | NPF-B-R | – | G ¹ / ₈ | – | M5 | – | – | 15 | |
| | | – | G ¹ / ₄ | – | – | G ¹ / ₈ | – | | |
| | | – | G ³ / ₈ | – | – | G ¹ / ₈ , G ¹ / ₄ | – | | |
| | | – | G ¹ / ₂ | – | – | G ¹ / ₄ , G ³ / ₈ | – | | |
| | | – | G ³ / ₄ | – | – | G ¹ / ₂ | – | | |
|  | D | M3 | – | – | M5 | – | – | 7 | |
| | | M5 | – | – | M7 | G ¹ / ₈ , G ¹ / ₄ | – | | |
| | | M7 | – | – | – | G ¹ / ₈ | – | | |
| | | – | G ¹ / ₈ | – | – | G ¹ / ₄ , G ³ / ₈ | – | | |
| | | – | G ¹ / ₄ | – | – | G ³ / ₈ , G ¹ / ₂ , G ³ / ₄ | – | | |
| | | – | G ³ / ₈ | – | – | G ¹ / ₂ , G ³ / ₄ | – | | |
| | | – | G ¹ / ₂ | – | – | G ³ / ₄ , G1 | – | | |
| | | – | G ³ / ₄ | – | – | G1 | – | | |

1) Sealing of the parallel threaded fittings NPF-B with thread sealing tape GWB-0,1 Part No. 9076 is recommended.

Threaded fittings

Product range overview

FESTO

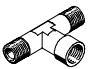
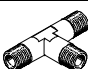
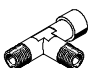


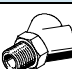


| Design | Version | Type | Connection D1 | | | Connection D2 | | | → Page/ Internet |
|---|---|--------|---------------|------------------------|------------------------|---------------|------------------------|------------------------|---------------------|
| | | | M thread | G thread ¹⁾ | R thread ¹⁾ | M thread | G thread ¹⁾ | R thread ¹⁾ | |
| Straight type | Female bulkhead fitting | | | | | | | | |
| |  | SCM | M5 | – | – | – | – | – | 9 |
| | | | – | G1/8 | – | – | – | – | |
| | | | – | G1/4 | – | – | – | – | |
| | | | – | G3/8 | – | – | – | – | |
| – | | | G1/2 | – | – | – | – | | |
| L-shape | Elbow fitting – Female thread | | | | | | | | |
| |  | NPFB-L | M5 | – | – | – | – | – | 16 |
| | | | – | G1/8 | – | – | – | – | |
| | | | – | G1/4 | – | – | – | – | |
| | | | – | G3/8 | – | – | – | – | |
| | | | – | G1/2 | – | – | – | – | |
| | | | – | G3/4 | – | – | – | – | |
| | | | – | G1 | – | – | – | – | |
| | Elbow fitting – Male thread/female thread | | | | | | | | |
| |  | NPFB-L | M5 | – | – | M5 | – | – | 16 |
| | | | – | G1/8 | – | – | – | R1/8 | |
| | | | – | G1/4 | – | – | – | R1/4 | |
| | | | – | G3/8 | – | – | – | R3/8 | |
| – | | | G1/2 | – | – | – | R1/2 | | |
| – | | | G3/4 | – | – | – | R3/4 | | |
| – | | | G1 | – | – | – | R1 | | |
| Elbow fitting – Male thread | | | | | | | | | |
|  | NPFB-L | M5 | – | – | – | – | – | 17 | |
| | | – | – | – | R1/8 | – | – | | |
| | | – | – | – | R1/4 | – | – | | |
| | | – | – | – | R3/8 | – | – | | |
| | | – | – | – | R1/2 | – | – | | |
| | | – | – | – | R3/4 | – | – | | |
| | | – | – | – | R1 | – | – | | |
| T-type | T-fitting – Female thread | | | | | | | | |
| |  | NPFB-T | M5 | – | – | – | – | – | 17 |
| | | | – | G1/8 | – | – | – | – | |
| | | | – | G1/4 | – | – | – | – | |
| | | | – | G3/8 | – | – | – | – | |
| | | | – | G1/2 | – | – | – | – | |
| | | | – | G3/4 | – | – | – | – | |
| | T-fitting – Female thread/male thread/female thread | | | | | | | | |
| |  | NPFB-T | M5 | – | – | M5 | – | – | 18 |
| | | | – | G1/8 | – | – | – | R1/8 | |
| – | | | G1/4 | – | – | – | R1/4 | | |
| – | | | G3/8 | – | – | – | R3/8 | | |
| – | | | G1/2 | – | – | – | R1/2 | | |
| – | | | G3/4 | – | – | – | R3/4 | | |

1) Sealing of the parallel threaded fittings NPFB with thread sealing tape GWB-0,1 Part No. 9076 is recommended.

Threaded fittings

Product range overview

FESTO

| Design | Version | Type | Connection D1 | | | Connection D2 | | | → Page/ Internet | |
|---------|---|---|---------------|----------------------------------|---|----------------------------------|---|----------------------------------|---------------------|----|
| | | | M thread | G thread ¹⁾ | R thread ¹⁾ | M thread | G thread ¹⁾ | R thread ¹⁾ | | |
| T-type | T-fitting – Female thread/male thread/male thread | | | | | | | | | |
| |  | NPFB-T | – | G 1/8 G 1/4 G 3/8 G 1/2 | – | – | – | R 1/8 R 1/4 R 3/8 R 1/2 | 18 | |
| | T-fitting – Male thread | | | | | | | | | |
| |  | NPFB-T | – | – | R 1/8 R 1/4 R 3/8 R 1/2 R 3/4 R 1 | – | – | – | 19 | |
| | T-fitting – Male thread/male thread/female thread | | | | | | | | | |
| |  | NPFB-T | – | – | R 1/8 R 1/4 R 3/8 R 1/2 | – | G 1/8 G 1/4 G 3/8 G 1/2 | – | 19 | |
| | T-fitting – Male thread/female thread/female thread | | | | | | | | | |
| |  | NPFB-T | M5 | – | – R 1/8 R 1/4 R 3/8 R 1/2 R 3/4 R 1 | M5 | – G 1/8 G 1/4 G 3/8 G 1/2 G 3/4 G 1 | – | 20 | |
| | Y-shape | Y-fitting – Female thread | | | | | | | | |
| | |  | NPFB-Y | – | G 1/8 G 1/4 G 3/8 G 1/2 | – | – | – | – | 20 |
| | | Y-fitting – Male thread/female thread/female thread | | | | | | | | |
| | |  | NPFB-Y | – | – | R 1/8 R 1/4 R 3/8 R 1/2 | – | G 1/8 G 1/4 G 3/8 G 1/2 | – | 21 |
| X-shape | X-fitting – Female thread | | | | | | | | | |
| |  | NPFB-X | – | G 1/8 G 1/4 G 3/8 G 1/2 | – | – | – | – | 21 | |
| | X-fitting – Male thread/female thread/female thread/female thread | | | | | | | | | |
| |  | NPFB-X | – | G 1/8 G 1/4 G 3/8 G 1/2 | – | – | – | R 1/8 R 1/4 R 3/8 R 1/2 | 22 | |

1) Sealing of the parallel threaded fittings NPFB with thread sealing tape GWB-0,1 Part No. 9076 is recommended.

Threaded fittings

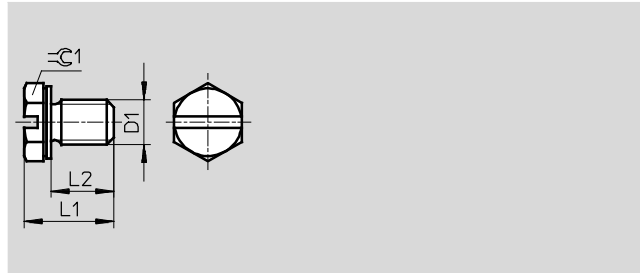
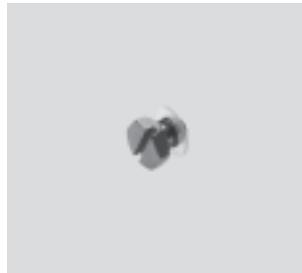
Technical data

FESTO

Blanking plug B-M3-S9 with sealing ring

Material:
High-alloy stainless steel

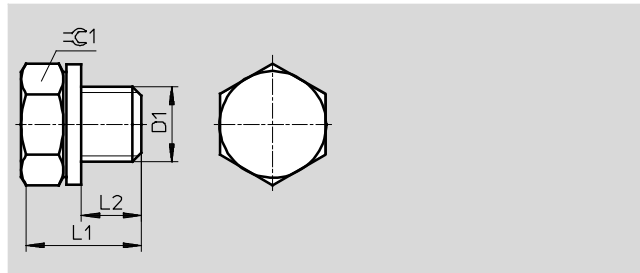
Note on materials:
Free of copper and PTFE



Blanking plug B-M5 with sealing ring

Material:
Aluminium

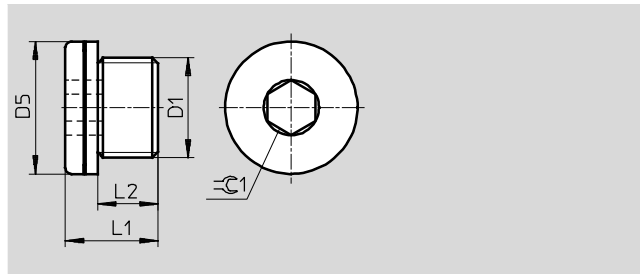
Note on materials:
Free of copper and PTFE



Blanking plug B with sealing ring

Material:
Steel

Note on materials:
Free of copper and PTFE



| Dimensions and ordering data | | | | | | | | |
|-------------------------------|-----|-----|-------|-----|------------------|----------|---|------------------|
| Connection | D5 | L1 | L2 | ≅C1 | Weight/piece [g] | Part No. | Type | PU ¹⁾ |
| D1 | ∅ | | | | | | | |
| M thread | | | | | | | | |
| M3 | – | 5.3 | 2.8 | 4.5 | 1 | 30979 | B-M3-S9 ²⁾ | 10 |
| M5 | – | 7.8 | 3.8 | 7 | 1 | 3843 | B-M5 | 10 |
| | | 8 | 6.3 | 3.8 | 2.5 | 2 | 534212 | B-M5-100 |
| M7 | 9.5 | 7.8 | 5.3 | 3 | 2 | 174308 | B-M5-B | 10 |
| | | | | | | | 174309 | B-M7 |
| G thread | | | | | | | | |
| G ¹ / ₈ | 14 | 11 | 6.4 | 5 | 5 | 3568 | B- ¹ / ₈ ³⁾ | 10 |
| | | | | | | 534213 | B- ¹ / ₈ -100 ³⁾ | 100 |
| G ¹ / ₄ | 18 | 15 | 9.8 | 6 | 15 | 3569 | B- ¹ / ₄ ³⁾ | 10 |
| | | | | | | 534214 | B- ¹ / ₄ -50 ³⁾ | 50 |
| G ³ / ₈ | 22 | 15 | 9.8 | 8 | 22 | 3570 | B- ³ / ₈ ³⁾ | 10 |
| | | | | | | 534215 | B- ³ / ₈ -20 ³⁾ | 20 |
| G ¹ / ₂ | 26 | 18 | 11.65 | 10 | 43 | 3571 | B- ¹ / ₂ ³⁾ | 10 |
| | | | | | | 534216 | B- ¹ / ₂ -20 ³⁾ | 20 |
| G ³ / ₄ | 32 | 20 | 13.05 | 12 | 73 | 3572 | B- ³ / ₄ ³⁾ | 1 |
| G1 | 39 | 21 | 14 | 17 | 153 | 5763 | B-1 | 1 |

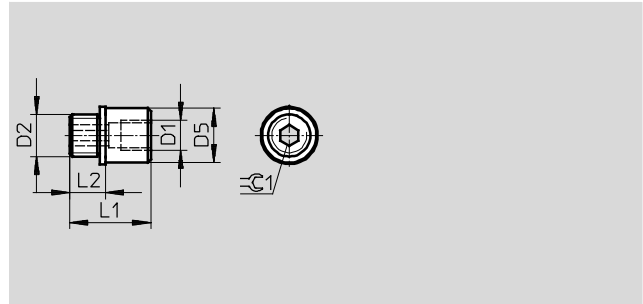
1) Packaging unit quantity
2) Corrosion and acid resistant version
3) Conforms to RoHS

Threaded fittings

Technical data

Reducing nipple D
with sealing ring

Material:
Brass

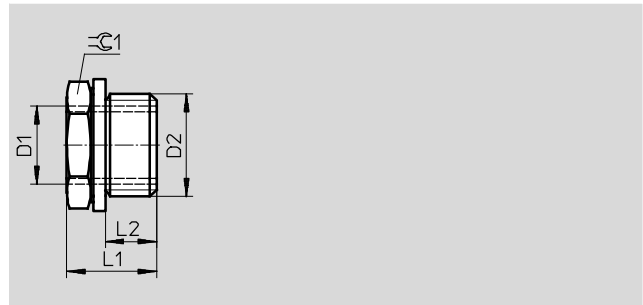


| Connection | | D5 | L1 | L2 | ≈C 1 | Weight/piece [g] | Part No. | Type | PU ¹⁾ |
|------------|----|----|------|----|------|------------------|----------|---------------|------------------|
| D1 | D2 | | | | | | | | |
| M5 | M7 | 9 | 13.5 | 6 | 3 | 43 | 161359 | D-M5I-M7A-ISK | 10 |

1) Packaging unit quantity

Reducing nipple D
with sealing ring

Material:
Brass
D-M3I-M5A-S9:
High-alloy stainless steel



| Connection | | L1 | L2 | ≈C 1 | Weight/piece [g] | Part No. | Type | PU ¹⁾ | |
|-------------------------------|-------------------------------|-------------------------------|------|------|------------------|----------|--|---|-----|
| D1 | D2 | | | | | | | | |
| M thread | | | | | | | | | |
| M3 | M5 | 6.3 | 3.8 | 7 | 1 | 30980 | D-M3I-M5A-S9 ²⁾ | 10 | |
| M5 | G ¹ / ₈ | 9.5 | 4.9 | 13 | 10 | 3842 | D-M5I- ¹ / ₈ A ³⁾ | 10 | |
| 6 mm deep | | | | | | 534208 | D-M5I- ¹ / ₈ A-100 | 100 | |
| M5 | G ¹ / ₄ | 12 | 5.8 | 17 | 12 | 197632 | D-M5I- ¹ / ₄ A | 10 | |
| M7 | G ¹ / ₈ | 9.5 | 4.9 | 13 | - | 534144 | D-M7I- ¹ / ₈ A | 10 | |
| | | | | | | | | | |
| G ¹ / ₈ | | G ¹ / ₄ | 12 | 5.8 | 17 | 8 | 3577 | D- ¹ / ₈ I- ¹ / ₄ A | 10 |
| | | G ³ / ₈ | 14 | 6.8 | 19 | - | 534209 | D- ¹ / ₈ I- ¹ / ₄ A-100 | 100 |
| | | G ³ / ₈ | 14 | 6.8 | 19 | 14 | 534147 | D- ¹ / ₈ I- ³ / ₈ A | 10 |
| G ¹ / ₄ | | G ³ / ₈ | 14 | 6.8 | 19 | 14 | 3581 | D- ¹ / ₄ I- ³ / ₈ A | 10 |
| | | G ¹ / ₂ | 15.5 | 8.15 | 24 | 36 | 534210 | D- ¹ / ₄ I- ³ / ₈ A-50 | 50 |
| | | G ³ / ₄ | 20.4 | 9.05 | 32 | - | 197633 | D- ¹ / ₄ I- ¹ / ₂ A | 10 |
| | | G ³ / ₄ | 20.4 | 9.05 | 32 | - | 534145 | D- ¹ / ₄ I- ³ / ₄ A | 10 |
| G ³ / ₈ | | G ¹ / ₂ | 15.5 | 8.15 | 24 | 25 | 3585 | D- ³ / ₈ I- ¹ / ₂ A | 10 |
| | | G ³ / ₄ | 20.4 | 9.05 | 32 | - | 534211 | D- ³ / ₈ I- ¹ / ₂ A-20 | 20 |
| | | G ³ / ₄ | 20.4 | 9.05 | 32 | - | 534146 | D- ³ / ₈ I- ³ / ₄ A | 10 |
| G ¹ / ₂ | | G ³ / ₄ | 20.4 | 14 | 32 | 45 | 3588 | D- ¹ / ₂ I- ³ / ₄ A | 1 |
| | | G1 | 21 | 13 | 36 | 110 | 197634 | D- ¹ / ₂ I-1A | 1 |
| G ³ / ₄ | | G1 | 21 | 13 | 36 | 55 | 9168 | D- ³ / ₄ I-1A | 1 |

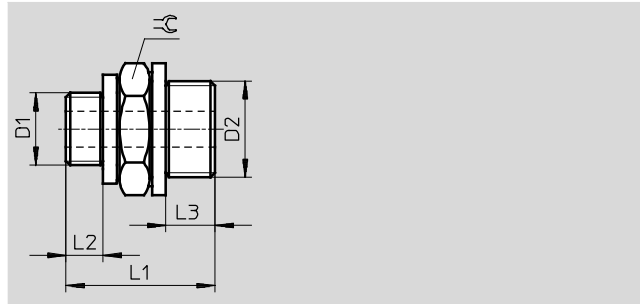
1) Packaging unit quantity
2) Corrosion and acid resistant version
3) Free of copper and PTFE

Threaded fittings

Technical data

FESTO

Double nipple E
with 2 sealing rings



| Dimensions and ordering data | | | | | | | | | | |
|------------------------------------|-------------------------------|-------------------------------|---|------|------|------|------------------|----------|--|--|
| Connection | | Nominal size | L1 | L2 | L3 | ≈ | Weight/piece [g] | Part No. | Type | PU ¹⁾ |
| D1 | D2 | | | | | | | | | |
| M thread – High-alloy steel | | | | | | | | | | |
| M3 | M3 | 1.7 | 10 | 2.8 | 2.8 | 4.5 | 1 | 30987 | E-M3-M3-S9 ²⁾ 3) | 10 |
| M thread – Steel | | | | | | | | | | |
| M5 | M5 | 2.5 | 12.6 | 3.8 | 3.8 | 7 | 2 | 4139 | E-M5-M5 ³⁾ | 10 |
| | G ¹ / ₈ | 2.5 | 15.3 | 3.8 | 4.9 | 13 | 1 | 4138 | E-M5- ¹ / ₈ ³⁾ | 10 |
| | | 534204 | E-M5- ¹ / ₈ -100 ³⁾ | 100 | | | | | | |
| G thread – Aluminium | | | | | | | | | | |
| G ¹ / ₈ | G ¹ / ₈ | 4.5 | 17 | 4.9 | 4.9 | 13 | 1 | 3573 | E- ¹ / ₈ - ¹ / ₈ ³⁾ | 10 |
| | G ¹ / ₄ | 4.5 | 19.5 | 4.9 | 5.8 | 17 | 1 | 3574 | E- ¹ / ₈ - ¹ / ₄ ³⁾ | 10 |
| | | 534205 | E- ¹ / ₈ - ¹ / ₄ -100 ³⁾ | 100 | | | | | | |
| G ¹ / ₄ | G ¹ / ₄ | 6.5 | 21 | 5.8 | 5.8 | 17 | 1 | 3575 | E- ¹ / ₄ - ¹ / ₄ ³⁾ | 10 |
| | G ³ / ₈ | 6.5 | 22 | 5.8 | 6.8 | 19 | 10 | 3576 | E- ¹ / ₄ - ³ / ₈ ³⁾ | 10 |
| | | 534206 | E- ¹ / ₄ - ³ / ₈ -50 ³⁾ | 50 | | | | | | |
| G ³ / ₈ | G ³ / ₈ | 9.0 | 23 | 6.8 | 6.8 | 19 | 10 | 3578 | E- ³ / ₈ - ³ / ₈ ³⁾ | 10 |
| | G ¹ / ₂ | 9.0 | 26.5 | 6.8 | 8.15 | 24 | 20 | 3579 | E- ³ / ₈ - ¹ / ₂ ³⁾ | 1 |
| | | 534207 | E- ³ / ₈ - ¹ / ₂ -20 ³⁾ | 20 | | | | | | |
| G ¹ / ₂ | G ¹ / ₂ | 13.0 | 28 | 8.15 | 8.15 | 24 | 20 | 3580 | E- ¹ / ₂ - ¹ / ₂ ³⁾ | 1 |
| | G ³ / ₄ | 13.0 | 30.5 | 8.5 | 9.05 | 32 | 35 | 3582 | E- ¹ / ₂ - ³ / ₄ ³⁾ | 1 |
| | | 3584 | E- ³ / ₄ - ³ / ₄ ³⁾ | 1 | | | | | | |
| M thread – Brass | | | | | | | | | | |
| M7 | G ¹ / ₈ | 4.5 | 17.7 | 5.3 | 4.9 | 13 | | 534148 | E-M7- ¹ / ₈ -MS | 10 |
| G thread – Brass | | | | | | | | | | |
| G ¹ / ₈ | G ¹ / ₈ | 4.5 | 17 | 4.9 | 4.9 | 13 | 10 | 15621 | E- ¹ / ₈ - ¹ / ₈ -MS | 10 |
| | G ¹ / ₄ | 4.5 | 19.5 | 4.9 | 5.8 | 17 | 20 | 15622 | E- ¹ / ₈ - ¹ / ₄ -MS | 10 |
| | | 5.3 | 20.4 | 4.9 | 6.8 | 19 | 25 | 534150 | E- ¹ / ₈ - ³ / ₈ -MS | 10 |
| G ¹ / ₄ | G ¹ / ₄ | 6.5 | 21 | 5.8 | 5.8 | 17 | 20 | 15623 | E- ¹ / ₄ - ¹ / ₄ -MS | 10 |
| | G ³ / ₈ | 6.5 | 22 | 5.8 | 6.8 | 19 | 30 | 15624 | E- ¹ / ₄ - ³ / ₈ -MS | 10 |
| | | G ¹ / ₂ | 8 | 25.5 | 5.8 | 8.15 | 24 | 30 | 534149 | E- ¹ / ₄ - ¹ / ₂ -MS |
| G ³ / ₈ | G ³ / ₈ | 9 | 23 | 6.8 | 6.8 | 19 | 30 | 15625 | E- ³ / ₈ - ³ / ₈ -MS | 10 |
| | G ¹ / ₂ | 9 | 26.5 | 6.8 | 8.15 | 24 | 53 | 15626 | E- ³ / ₈ - ¹ / ₂ -MS | 1 |
| | | 13 | 28 | 8.15 | 8.15 | 24 | 52 | 15627 | E- ¹ / ₂ - ¹ / ₂ -MS | 1 |
| G ¹ / ₂ | G ³ / ₄ | 13 | 30.5 | 8.15 | 9.05 | 32 | 100 | 15628 | E- ¹ / ₂ - ³ / ₄ -MS | 1 |
| | | 18 | 32 | 9.05 | 9.05 | 32 | 100 | 15629 | E- ³ / ₄ - ³ / ₄ -MS | 1 |

1) Packaging unit quantity
2) Corrosion and acid resistant version
3) Free of copper and PTFE

Threaded fittings

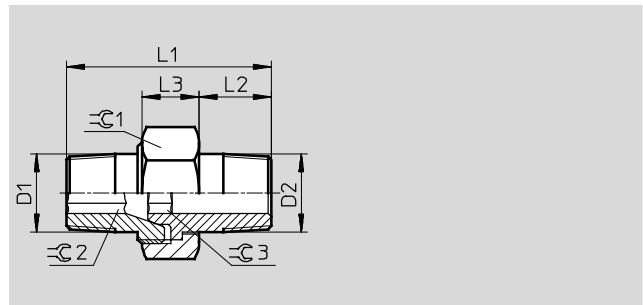
Technical data

Double nipple ESK

adjustable for angular compensation

Material:

Brass



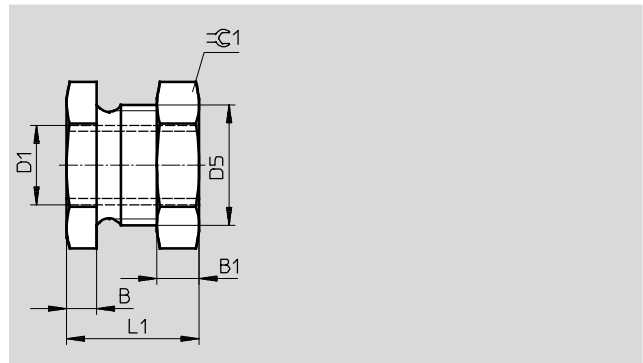
| Dimensions and ordering data | | | | | | | | | | |
|-------------------------------|-------------------------------|------|----|-----|----|----|----|----------|--|------------------|
| Connection | | L1 | L2 | L3 | C1 | C2 | C3 | Part No. | Type | PU ¹⁾ |
| D1 | D2 | | | | | | | | | |
| R ¹ / ₈ | R ¹ / ₈ | 27 | 9 | 8.5 | 15 | 5 | 5 | 151520 | ESK- ¹ / ₈ - ¹ / ₈ | 1 |
| | R ¹ / ₄ | 30.6 | 12 | 9.5 | 19 | 5 | 6 | 534151 | ESK- ¹ / ₈ - ¹ / ₄ | 1 |
| | R ³ / ₈ | 34.5 | 13 | 10 | 22 | 5 | 8 | 534155 | ESK- ¹ / ₈ - ³ / ₈ | 1 |
| R ¹ / ₄ | R ¹ / ₄ | 34 | 12 | 9.5 | 19 | 6 | 6 | 151521 | ESK- ¹ / ₄ - ¹ / ₄ | 1 |
| | R ³ / ₈ | 36 | 13 | 10 | 22 | 6 | 8 | 534152 | ESK- ¹ / ₄ - ³ / ₈ | 1 |
| | R ¹ / ₂ | 40.5 | 16 | 12 | 27 | 6 | 12 | 534153 | ESK- ¹ / ₄ - ¹ / ₂ | 1 |
| R ³ / ₈ | R ³ / ₈ | 36 | 13 | 10 | 22 | 8 | 8 | 151522 | ESK- ³ / ₈ - ³ / ₈ | 1 |
| | R ¹ / ₂ | 44 | 16 | 12 | 27 | 8 | 12 | 534154 | ESK- ³ / ₈ - ¹ / ₂ | 1 |
| R ¹ / ₂ | R ¹ / ₂ | 44 | 16 | 12 | 27 | 12 | 12 | 151523 | ESK- ¹ / ₂ - ¹ / ₂ | 1 |

1) Packaging unit quantity

Female bulkhead connector SCM

Material:

Blue anodised aluminium



| Dimensions and ordering data | | | | | | | | | | |
|-------------------------------|---------|---|------|------|----|------------------|----------|----------------------------------|------------------|--|
| Connection | D5 | B | B1 | L1 | C1 | Weight/piece [g] | Part No. | Type | PU ¹⁾ | |
| M5 | M10x1 | 4 | 3.5 | 15.5 | 13 | 5 | 9969 | SCM-M5 | 1 | |
| G ¹ / ₈ | M14x1.5 | 5 | 5 | 20 | 17 | 10 | 9970 | SCM- ¹ / ₈ | 1 | |
| G ¹ / ₄ | M20x1.5 | 5 | 7 | 22 | 24 | 28 | 9971 | SCM- ¹ / ₄ | 1 | |
| G ³ / ₈ | M24x1.5 | 8 | 8.5 | 26.5 | 27 | 34 | 9972 | SCM- ³ / ₈ | 1 | |
| G ¹ / ₂ | M30x1.5 | 8 | 10.5 | 28.5 | 36 | 78 | 9973 | SCM- ¹ / ₂ | 1 | |

1) Packaging unit quantity

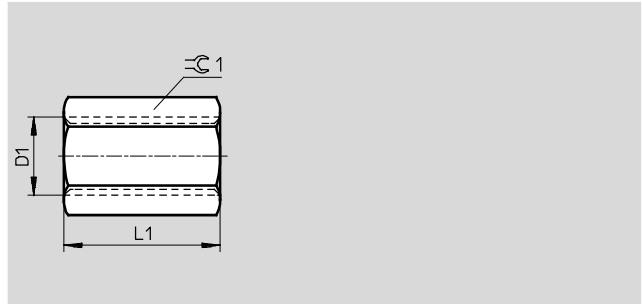
Threaded fittings

Technical data

Pipe coupling sleeve QM

Material:
Blue anodised aluminium
QM-M5-M5:
Steel

Note on materials:
Free of copper and PTFE
Conforms to RoHS



| Dimensions and ordering data | | | | | | |
|------------------------------|----|-----------------|------------------|----------|-----------------------------------|------------------|
| Connection | L1 | $\varnothing 1$ | Weight/piece [g] | Part No. | Type | PU ¹⁾ |
| M5 | 12 | 7 | 1 | 3560 | QM-M5-M5 | 10 |
| G $\frac{1}{8}$ | 22 | 13 | 6 | 2254 | QM- $\frac{1}{8}$ - $\frac{1}{8}$ | 10 |
| G $\frac{1}{4}$ | 26 | 17 | 9 | 2255 | QM- $\frac{1}{4}$ - $\frac{1}{4}$ | 10 |
| G $\frac{3}{8}$ | 32 | 22 | 19 | 2256 | QM- $\frac{3}{8}$ - $\frac{3}{8}$ | 10 |
| G $\frac{1}{2}$ | 36 | 27 | 31 | 2257 | QM- $\frac{1}{2}$ - $\frac{1}{2}$ | 1 |
| G $\frac{3}{4}$ | 36 | 32 | 36 | 4226 | QM- $\frac{3}{4}$ - $\frac{3}{4}$ | 1 |
| G1 | 40 | 41 | 80 | 9968 | QM-1-1 | 1 |

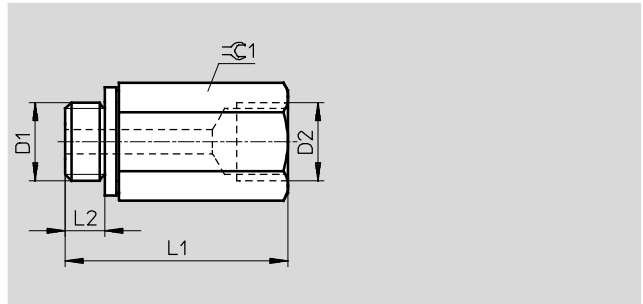
1) Packaging unit quantity

Pipe coupling sleeve QM

with sealing ring

Material:
Anodised wrought aluminium alloy
QM-M5-A/I:
Steel

Note on materials:
Conforms to RoHS
Free of copper and PTFE



| Dimensions and ordering data | | | | | | | | |
|------------------------------|-----------------|------|------|-----------------|------------------|----------|------------------------|------------------|
| Connection | | L1 | L2 | $\varnothing 1$ | Weight/piece [g] | Part No. | Type | PU ¹⁾ |
| D1 | D2 | | | | | | | |
| M5 | M5 | 18.5 | 3.8 | 7 | 4 | 36169 | QM-M5-A/I | 10 |
| G $\frac{1}{8}$ | G $\frac{1}{8}$ | 25.6 | 4.9 | 13 | 7 | 36170 | QM- $\frac{1}{8}$ -A/I | 10 |
| G $\frac{1}{4}$ | G $\frac{1}{4}$ | 36 | 5.8 | 17 | 15 | 36171 | QM- $\frac{1}{4}$ -A/I | 10 |
| G $\frac{3}{8}$ | G $\frac{3}{8}$ | 37.8 | 6.8 | 19 | 16 | 36172 | QM- $\frac{3}{8}$ -A/I | 10 |
| G $\frac{1}{2}$ | G $\frac{1}{2}$ | 49 | 8.15 | 24 | 36 | 187387 | QM- $\frac{1}{2}$ -A/I | 1 |

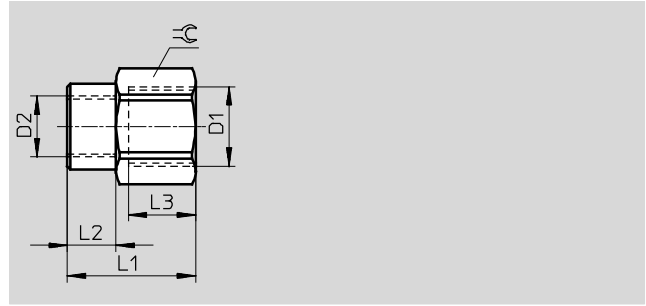
1) Packaging unit quantity

Threaded fittings

Technical data

Reducing sleeve QMR

Material:
Nickel plated brass



| Dimensions and ordering data | | | | | | | | | | |
|-------------------------------|-------------------|-------------------------------|----|----|----|----|------------------|----------|---|------------------|
| Connection | Nominal size [mm] | Connection | L1 | L2 | L3 | ☉ | Weight/piece [g] | Part No. | Type | PU ¹⁾ |
| D1 | | D2 | | | | | | | | |
| M thread | | | | | | | | | | |
| G ¹ / ₈ | 2.6 | M5 | 17 | 7 | 7 | 14 | 12 | 153281 | QMR- ¹ / ₈ -M5-B | 10 |
| G thread | | | | | | | | | | |
| G ¹ / ₄ | 5.3 | G ¹ / ₈ | 21 | 8 | 9 | 17 | 22 | 153282 | QMR- ¹ / ₄ - ¹ / ₈ -B | 10 |
| G ³ / ₈ | 6.9 | G ¹ / ₄ | 25 | 11 | 11 | 21 | 34 | 153283 | QMR- ³ / ₈ - ¹ / ₄ -B | 10 |
| G ¹ / ₂ | 10.7 | G ³ / ₈ | 33 | 14 | 14 | 24 | 55 | 153284 | QMR- ¹ / ₂ - ³ / ₈ -B | 1 |

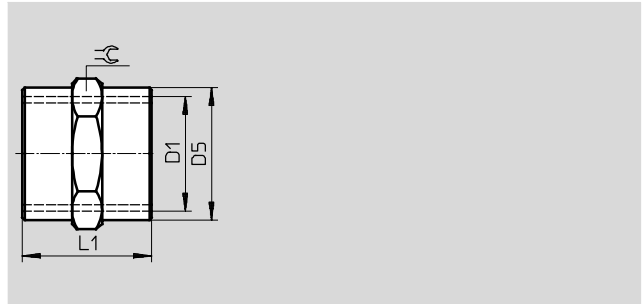
1) Packaging unit quantity

Threaded fittings NPFB

Technical data

Sleeve NPFB-S

Operating pressure:
-0.95 ... +40 bar
Ambient temperature:
-20 ... +150 °C
Operating medium:
Compressed air in accordance with
ISO 8573-1:2010 [7:--]



Material:
Nickel-plated brass

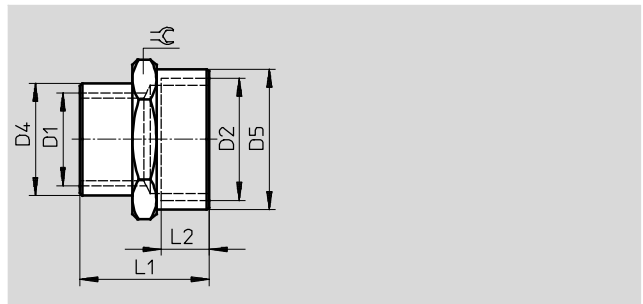
Note on material:
Conforms to RoHS

| Dimensions and ordering data | | | | | | | |
|-------------------------------|------|----|----|------------------|----------|---------------|------------------|
| Connection | D5 | L1 | ⊕ | Weight/piece [g] | Part No. | Type | PU ¹⁾ |
| D1 | ∅ | | | | | | |
| M thread | | | | | | | |
| M5 | 7.5 | 11 | 8 | 3 | 547809 | NPFB-S-2M5-F | 10 |
| G thread | | | | | | | |
| G ¹ / ₈ | 13.8 | 15 | 14 | 11 | 547810 | NPFB-S-2G18-F | 10 |
| G ¹ / ₄ | 16.8 | 22 | 17 | 20 | 547811 | NPFB-S-2G14-F | 10 |
| G ³ / ₈ | 21.8 | 24 | 22 | 38 | 547812 | NPFB-S-2G38-F | 10 |
| G ¹ / ₂ | 25.5 | 30 | 26 | 55 | 547813 | NPFB-S-2G12-F | 10 |
| G ³ / ₄ | 31.5 | 32 | 32 | 91 | 547814 | NPFB-S-2G34-F | 10 |

1) Packaging unit quantity

Reducing sleeve NPFB-R

Operating pressure:
-0.95 ... +40 bar
Ambient temperature:
-20 ... +150 °C
Operating medium:
Compressed air in accordance with
ISO 8573-1:2010 [7:--]



Material:
Nickel-plated brass

Note on material:
Conforms to RoHS

| Dimensions and ordering data | | | | | | | | | | |
|-------------------------------|-------------------------------|------|------|----|----|----|------------------|----------|------------------|------------------|
| Connection | D2 | D4 | D5 | L1 | L2 | ⊕ | Weight/piece [g] | Part No. | Type | PU ¹⁾ |
| D1 | | ∅ | ∅ | | | | | | | |
| G ¹ / ₈ | G ³ / ₈ | 13.8 | 21.8 | 20 | 10 | 22 | 30 | 547815 | NPFB-R-G38-G18-F | 10 |
| G ¹ / ₂ | G ³ / ₄ | 25.5 | 31.5 | 30 | 13 | 32 | 83 | 547816 | NPFB-R-G34-G12-F | 10 |

1) Packaging unit quantity

Threaded fittings NPFB

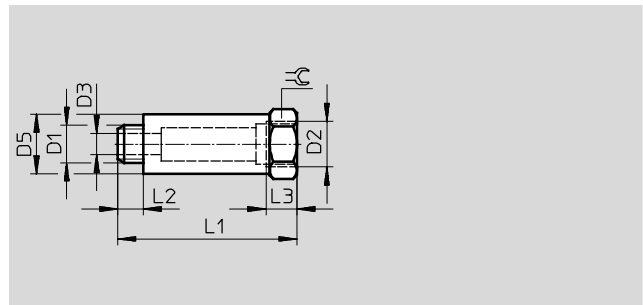
Technical data

Extension NPFB-E...

Operating pressure:
 -0.95 ... +40 bar
 Ambient temperature:
 -20 ... +150 °C
 Operating medium:
 Compressed air in accordance with
 ISO 8573-1:2010 [7:--:-]

Material:
 Nickel-plated brass

Note on material:
 Conforms to RoHS



| Dimensions and ordering data | | | | | | | | | | | |
|------------------------------|------|----|------|----|----|-----|----|------------------|----------|-----------------|------------------|
| Connection | | D3 | D5 | L1 | L2 | L3 | ≈ | Weight/piece [g] | Part No. | Type | PU ¹⁾ |
| D1 | D2 | ∅ | ∅ | | | | | | | | |
| E1 | | | | | | | | | | | |
| G1/8 | G1/8 | 5 | 13.5 | 22 | 6 | 6.5 | 14 | 17 | 547822 | NPFB-E1-2G18-FM | 10 |
| G1/4 | G1/4 | 7 | 16.5 | 28 | 8 | 10 | 17 | 28 | 547823 | NPFB-E1-2G14-FM | 10 |
| G3/8 | G3/8 | 11 | 21.8 | 32 | 9 | 10 | 22 | 40 | 547824 | NPFB-E1-2G38-FM | 10 |
| G1/2 | G1/2 | 14 | 25.5 | 35 | 10 | 11 | 26 | 55 | 547825 | NPFB-E1-2G12-FM | 10 |
| E2 | | | | | | | | | | | |
| G1/8 | G1/8 | 5 | 13.5 | 32 | 6 | 6.5 | 14 | 25 | 547826 | NPFB-E2-2G18-FM | 10 |
| G1/4 | G1/4 | 7 | 16.5 | 35 | 8 | 10 | 17 | 35 | 547827 | NPFB-E2-2G14-FM | 10 |
| E3 | | | | | | | | | | | |
| G1/8 | G1/8 | 5 | 13.5 | 42 | 6 | 6.5 | 14 | 32 | 547828 | NPFB-E3-2G18-FM | 10 |
| G1/4 | G1/4 | 7 | 16.5 | 51 | 8 | 10 | 17 | 51 | 547829 | NPFB-E3-2G14-FM | 10 |
| E4 | | | | | | | | | | | |
| G1/8 | G1/8 | 5 | 13.5 | 51 | 6 | 6.5 | 14 | 40 | 547830 | NPFB-E4-2G18-FM | 10 |

1) Packaging unit quantity

Threaded fittings NPFB

Technical data

Double nipple NPFB-D

Operating pressure:

-0.95 ... +40 bar

Ambient temperature:

-20 ... +150 °C

Operating medium:

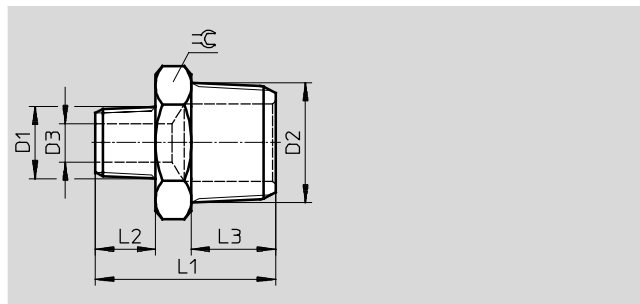
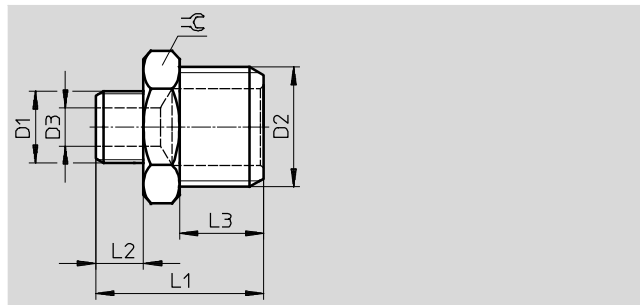
Compressed air in accordance with ISO 8573-1:2010 [7:-:-]

Material:

Nickel-plated brass

Note on material:

Conforms to RoHS



| Dimensions and ordering data | | | | | | | | | | |
|-------------------------------|-------------------------------|---------|------|------|------|----|---------------------|----------|------------------|------------------|
| Connection | | D3 Ø | L1 | L2 | L3 | =C | Weight/piece [g] | Part No. | Type | PU ¹⁾ |
| D1 | D2 | | | | | | | | | |
| M thread | | | | | | | | | | |
| M5 | M5 | 2 | 11.5 | 4 | 4 | 8 | 3 | 550036 | NPFB-D-2M5-M | 10 |
| M7 | G ¹ / ₈ | 4 | 14.5 | 4 | 6 | 14 | 7 | 547799 | NPFB-D-M7-G18-M | 10 |
| G thread | | | | | | | | | | |
| G ¹ / ₈ | G ¹ / ₈ | 5.5 | 16.5 | 6 | 6 | 14 | 10 | 547800 | NPFB-D-2G18-M | 10 |
| | G ¹ / ₄ | 5.5 | 19 | 6 | 8 | 17 | 16 | 547801 | NPFB-D-G18-G14-M | 10 |
| | G ³ / ₈ | 5.5 | 20 | 6 | 9 | 19 | 21 | 547802 | NPFB-D-G18-G38-M | 10 |
| G ¹ / ₄ | G ¹ / ₄ | 8 | 21 | 8 | 8 | 17 | 17 | 547803 | NPFB-D-2G14-M | 10 |
| | G ³ / ₈ | 8 | 22 | 8 | 9 | 19 | 23 | 547804 | NPFB-D-G14-G38-M | 10 |
| | G ¹ / ₂ | 8 | 23.5 | 8 | 10 | 24 | 36 | 547805 | NPFB-D-G14-G12-M | 10 |
| G ³ / ₈ | G ³ / ₈ | 11 | 23 | 9 | 9 | 19 | 24 | 547806 | NPFB-D-2G38-M | 10 |
| | G ¹ / ₂ | 11 | 24.5 | 9 | 10 | 24 | 37 | 547807 | NPFB-D-G38-G12-M | 10 |
| G ¹ / ₂ | G ¹ / ₂ | 14 | 25.5 | 10 | 10 | 24 | 38 | 547808 | NPFB-D-2G12-M | 10 |
| R thread | | | | | | | | | | |
| R ¹ / ₈ | R ¹ / ₈ | 5 | 20 | 8 | 8 | 12 | 11 | 547787 | NPFB-D-2R18-M | 10 |
| | R ¹ / ₄ | 5 | 24 | 8 | 11 | 14 | 17 | 547788 | NPFB-D-R18-R14-M | 10 |
| | R ³ / ₈ | 5.5 | 24.5 | 8 | 11.5 | 17 | 23 | 547789 | NPFB-D-R18-R38-M | 10 |
| R ¹ / ₄ | R ¹ / ₄ | 8 | 27 | 11 | 11 | 14 | 21 | 547790 | NPFB-D-2R14-M | 10 |
| | R ³ / ₈ | 8 | 27.5 | 11 | 11.5 | 17 | 27 | 547791 | NPFB-D-R14-R38-M | 10 |
| | R ¹ / ₂ | 8 | 30.5 | 11 | 14 | 22 | 44 | 547792 | NPFB-D-R14-R12-M | 10 |
| R ³ / ₈ | R ³ / ₈ | 11 | 28 | 11.5 | 11.5 | 17 | 30 | 547793 | NPFB-D-2R38-M | 10 |
| | R ¹ / ₂ | 11 | 31 | 11.5 | 14 | 22 | 47 | 547794 | NPFB-D-R38-R12-M | 10 |
| R ¹ / ₂ | R ¹ / ₂ | 14 | 33.5 | 14 | 14 | 22 | 56 | 547795 | NPFB-D-2R12-M | 10 |
| | R ³ / ₄ | 14 | 37.5 | 14 | 16.5 | 27 | 84 | 547796 | NPFB-D-R12-R34-M | 10 |
| R ³ / ₄ | R ³ / ₄ | 18.5 | 40 | 16.5 | 16.5 | 27 | 97 | 547797 | NPFB-D-2R34-M | 10 |
| R1 | R1 | 24.5 | 45.5 | 19 | 19 | 34 | 158 | 547798 | NPFB-D-2R1-M | 10 |

1) Packaging unit quantity

Threaded fittings NPFB

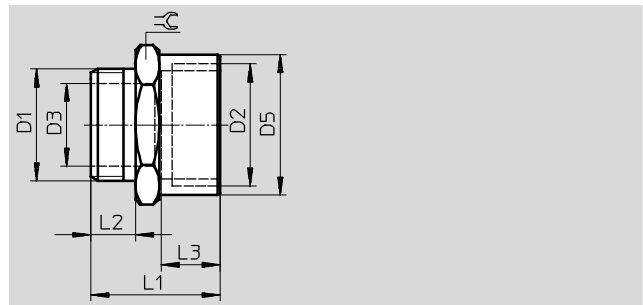
Technical data

Reducing nipple NPFB-R

Operating pressure:
 -0.95 ... +40 bar
 Ambient temperature:
 -20 ... +150 °C
 Operating medium:
 Compressed air in accordance with
 ISO 8573-1:2010 [7:--:]

Material:
 Nickel-plated brass

Note on material:
 Conforms to RoHS



| Connection | | D3 | D5 | L1 | L2 | L3 | ≈C | Weight/piece [g] | Part No. | Type | PU ¹⁾ |
|------------|------|-----|------|------|----|-----|----|------------------|----------|-------------------|------------------|
| D1 | D2 | ∅ | ∅ | | | | | | | | |
| M5 | G1/8 | 2 | 13.8 | 15.5 | 4 | 6.5 | 14 | 11 | 547817 | NPFB-R-G18-M5-FM | 10 |
| G1/8 | G1/4 | 5.5 | 16.8 | 20.5 | 6 | 8 | 17 | 19 | 547818 | NPFB-R-G14-G18-FM | 10 |
| | G3/8 | 5.5 | 21.8 | 23 | 6 | 10 | 22 | 35 | 547819 | NPFB-R-G38-G18-FM | 10 |
| G1/4 | G3/8 | 8 | 21.8 | 24 | 8 | 10 | 22 | 35 | 547820 | NPFB-R-G38-G14-FM | 10 |
| G3/8 | G1/2 | 11 | 25.5 | 29.5 | 9 | 11 | 26 | 51 | 547821 | NPFB-R-G12-G38-FM | 10 |

1) Packaging unit quantity

Reducing nipple NPFB-R

Operating pressure:
 -0.95 ... +40 bar
 Ambient temperature:
 -20 ... +150 °C
 Operating medium:
 Compressed air in accordance with
 ISO 8573-1:2010 [7:--:]

Material:
 Nickel-plated brass

Note on material:
 Conforms to RoHS



| Connection | | L1 | L2 | ≈C | Weight/piece [g] | Part No. | Type | PU ¹⁾ |
|------------|------|------|----|----|------------------|----------|-------------------|------------------|
| D1 | D2 | | | | | | | |
| G1/8 | M5 | 10.5 | 6 | 14 | 8 | 547831 | NPFB-R-G18-M5-MF | 10 |
| G1/4 | G1/8 | 13 | 8 | 17 | 13 | 547832 | NPFB-R-G14-G18-MF | 10 |
| G3/8 | G1/8 | 14 | 9 | 19 | 22 | 547833 | NPFB-R-G38-G18-MF | 10 |
| | G1/4 | 14 | 9 | 19 | 16 | 547834 | NPFB-R-G38-G14-MF | 10 |
| G1/2 | G1/4 | 15.5 | 10 | 24 | 35 | 547835 | NPFB-R-G12-G14-MF | 10 |
| | G3/8 | 15.5 | 10 | 24 | 28 | 547836 | NPFB-R-G12-G38-MF | 10 |
| G3/4 | G1/2 | 17.5 | 11 | 30 | 51 | 575668 | NPFB-R-G34-G12-MF | 10 |

1) Packaging unit quantity

Threaded fittings NPFB

Technical data

FESTO

Elbow fitting NPFB-L

Operating pressure:

-0.95 ... +40 bar

Ambient temperature:

-20 ... +150 °C

Operating medium:

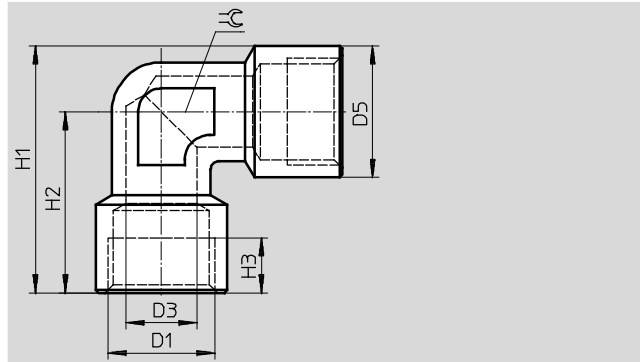
Compressed air in accordance with
ISO 8573-1:2010 [7:-:-]

Material:

Nickel-plated brass

Note on material:

Conforms to RoHS



| Dimensions and ordering data | | | | | | | | | | |
|-------------------------------|-----|------|-------|------|------|----|------------------|----------|---------------|------------------|
| Connection | D3 | D5 | H1 | H2 | H3 | ⌀ | Weight/piece [g] | Part No. | Type | PU ¹⁾ |
| D1 | ∅ | ∅ | | | | | | | | |
| M5 | 4.2 | 8.5 | 15.25 | 11 | 4 | 9 | 31 | 547715 | NPFB-L-2M5-F | 10 |
| G ¹ / ₈ | 6 | 13 | 26.5 | 20 | 7 | 10 | 19 | 547716 | NPFB-L-2G18-F | 10 |
| G ¹ / ₄ | 9 | 16 | 33.5 | 25.5 | 8 | 13 | 31 | 547717 | NPFB-L-2G14-F | 10 |
| G ³ / ₈ | 10 | 20.5 | 39.25 | 29 | 10 | 17 | 61 | 547718 | NPFB-L-2G38-F | 10 |
| G ¹ / ₂ | 14 | 25.5 | 47.75 | 35 | 11 | 20 | 115 | 547719 | NPFB-L-2G12-F | 10 |
| G ³ / ₄ | 19 | 32 | 52.5 | 36.5 | 16.5 | 25 | 145 | 547720 | NPFB-L-2G34-F | 10 |
| G1 | 24 | 39 | 64.5 | 45 | 19 | 30 | 245 | 547721 | NPFB-L-2G1-F | 10 |

1) Packaging unit quantity

Elbow fitting NPFB-L

Operating pressure:

-0.95 ... +40 bar

Ambient temperature:

-20 ... +150 °C

Operating medium:

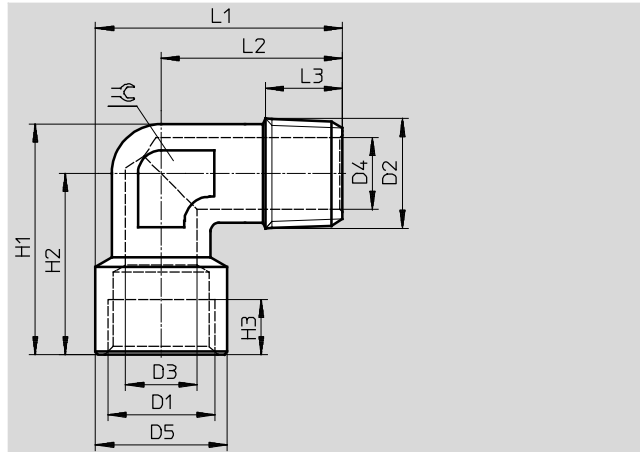
Compressed air in accordance with
ISO 8573-1:2010 [7:-:-]

Material:

Nickel-plated brass

Note on material:

Conforms to RoHS



| Dimensions and ordering data | | | | | | | | | | | | | | | |
|-------------------------------|-------------------------------|-----|-----|------|-------|------|------|-------|------|------|----|------------------|----------|-------------------|------------------|
| Connection | | D3 | D4 | D5 | L1 | L2 | L3 | H1 | H2 | H3 | ⌀ | Weight/piece [g] | Part No. | Type | PU ¹⁾ |
| D1 | D2 | ∅ | ∅ | ∅ | | | | | | | | | | | |
| M5 | M5 | 4.2 | 2 | 7.5 | 15.25 | 11.5 | 4 | 17 | 13.5 | 4 | 9 | 6 | 547722 | NPFB-L-2M5-MF | 10 |
| G ¹ / ₈ | R ¹ / ₈ | 6 | 5.5 | 13 | 25.5 | 19 | 8 | 25 | 20 | 7 | 10 | 18 | 547723 | NPFB-L-R18-G18-MF | 10 |
| G ¹ / ₄ | R ¹ / ₄ | 9 | 8 | 16 | 32 | 24 | 12.5 | 32 | 25.5 | 8 | 13 | 32 | 547724 | NPFB-L-R14-G14-MF | 10 |
| G ³ / ₈ | R ³ / ₈ | 10 | 11 | 20.5 | 36.75 | 26.5 | 13.6 | 37.5 | 29 | 10 | 17 | 55 | 547725 | NPFB-L-R38-G38-MF | 10 |
| G ¹ / ₂ | R ¹ / ₂ | 14 | 14 | 25.5 | 44.25 | 31.5 | 15.5 | 45.5 | 35 | 11 | 20 | 99 | 547726 | NPFB-L-R12-G12-MF | 10 |
| G ³ / ₄ | R ³ / ₄ | 19 | 19 | 32 | 49 | 33 | 16 | 49.75 | 36.5 | 16.5 | 25 | 120 | 547727 | NPFB-L-R34-G34-MF | 10 |
| G1 | R1 | 24 | 24 | 39 | 58.5 | 39 | 17 | 60.5 | 45 | 19 | 30 | 212 | 547728 | NPFB-L-R1-G1-MF | 10 |

1) Packaging unit quantity

Threaded fittings NPFB

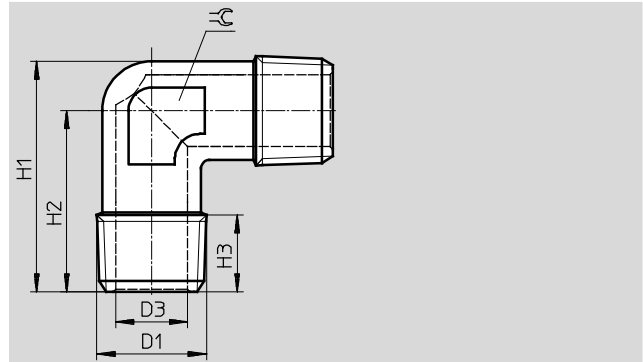
Technical data

Elbow fitting NPFB-L

Operating pressure:
-0.95 ... +40 bar
Ambient temperature:
-20 ... +150 °C
Operating medium:
Compressed air in accordance with
ISO 8573-1:2010 [7:--:-]

Material:
Nickel-plated brass

Note on material:
Conforms to RoHS



| Dimensions and ordering data | | | | | | | | | | |
|-------------------------------|-----|------|------|------|----|------------------|----------|---------------|------------------|--|
| Connection | D3 | H1 | H2 | H3 | ∅ | Weight/piece [g] | Part No. | Type | PU ¹⁾ | |
| D1 | ∅ | | | | | | | | | |
| M5 | 2 | 15.5 | 11.5 | 4 | 9 | 8 | 547729 | NPFB-L-2M5-M | 10 | |
| R ¹ / ₈ | 5.5 | 24 | 19 | 8 | 10 | 14 | 547730 | NPFB-L-2R18-M | 10 | |
| R ¹ / ₄ | 8 | 30.5 | 24 | 12.5 | 13 | 29 | 547731 | NPFB-L-2R14-M | 10 | |
| R ³ / ₈ | 11 | 34.8 | 26.5 | 13.6 | 17 | 45 | 547732 | NPFB-L-2R38-M | 10 | |
| R ¹ / ₂ | 14 | 42 | 31.5 | 15.5 | 20 | 83 | 547733 | NPFB-L-2R12-M | 10 | |
| R ³ / ₄ | 19 | 46 | 33 | 16 | 25 | 100 | 547734 | NPFB-L-2R34-M | 10 | |
| R1 | 24 | 54.5 | 39 | 17 | 30 | 174 | 547735 | NPFB-L-2R1-M | 10 | |

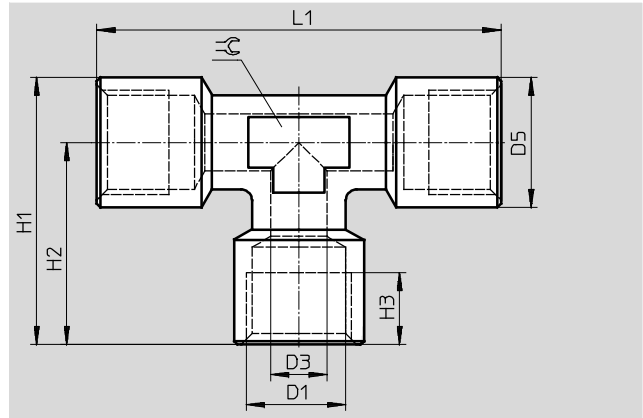
1) Packaging unit quantity

T-fitting NPFB-T

Operating pressure:
-0.95 ... +40 bar
Ambient temperature:
-20 ... +150 °C
Operating medium:
Compressed air in accordance with
ISO 8573-1:2010 [7:--:-]

Material:
Nickel-plated brass

Note on material:
Conforms to RoHS



| Dimensions and ordering data | | | | | | | | | | | |
|-------------------------------|-----|------|----|-------|------|------|----|------------------|----------|---------------|------------------|
| Connection | D3 | D5 | L1 | H1 | H2 | H3 | ∅ | Weight/piece [g] | Part No. | Type | PU ¹⁾ |
| D1 | ∅ | ∅ | | | | | | | | | |
| M5 | 4.2 | 8.5 | 22 | 15.25 | 11 | 5 | 9 | 10 | 547744 | NPFB-T-3M5-F | 10 |
| G ¹ / ₈ | 6 | 13 | 40 | 26.5 | 20 | 7 | 10 | 27 | 547745 | NPFB-T-3G18-F | 10 |
| G ¹ / ₄ | 9 | 16 | 51 | 33.5 | 25.5 | 8 | 13 | 44 | 547746 | NPFB-T-3G14-F | 10 |
| G ³ / ₈ | 10 | 21 | 58 | 39.5 | 29 | 10 | 17 | 85 | 547747 | NPFB-T-3G38-F | 10 |
| G ¹ / ₂ | 15 | 26.2 | 70 | 48.1 | 35 | 11 | 20 | 151 | 547748 | NPFB-T-3G12-F | 10 |
| G ³ / ₄ | 19 | 32 | 73 | 52.5 | 36.5 | 16.5 | 25 | 194 | 547749 | NPFB-T-3G34-F | 10 |
| G1 | 24 | 39 | 90 | 64.5 | 45 | 19 | 30 | 326 | 547750 | NPFB-T-3G1-F | 10 |

1) Packaging unit quantity

Threaded fittings NPFB

Technical data

FESTO

T-fitting NPFB-T

Operating pressure:

-0.95 ... +40 bar

Ambient temperature:

-20 ... +150 °C

Operating medium:

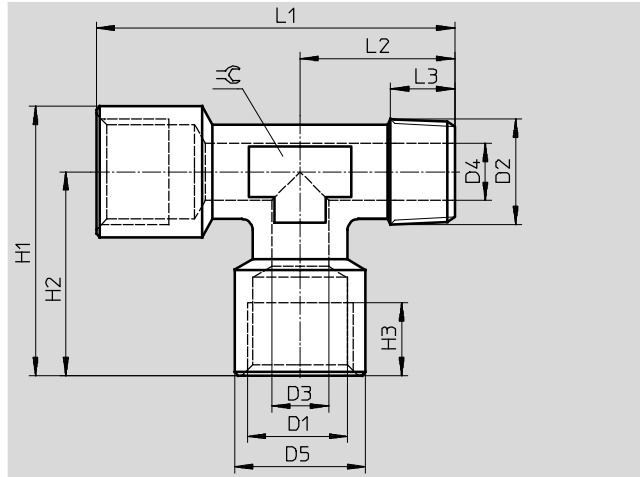
Compressed air in accordance with
ISO 8573-1:2010 [7:--:-]

Material:

Nickel-plated brass

Note on material:

Conforms to RoHS



| Dimensions and ordering data | | | | | | | | | | | | | | | |
|-------------------------------|-------------------------------|-----|-----|------|------|------|------|-------|------|------|----|--------------|----------|---------------------|------------------|
| Connection | | D3 | D4 | D5 | L1 | L2 | L3 | H1 | H2 | H3 | ⊖ | Weight/piece | Part No. | Type | PU ¹⁾ |
| D1 | D2 | ∅ | ∅ | ∅ | | | | | | | | [g] | | | |
| M5 | M5 | 4.2 | 2 | 8.5 | 22.5 | 12 | 4 | 15.25 | 11 | 5 | 9 | 8 | 547758 | NPFB-T-3M5-FMF | 10 |
| G ¹ / ₈ | R ¹ / ₈ | 6 | 5.5 | 13 | 39 | 19 | 8 | 26.5 | 20 | 7 | 10 | 26 | 547759 | NPFB-T-2G18-R18-FMF | 10 |
| G ¹ / ₄ | R ¹ / ₄ | 9 | 8 | 16 | 49.5 | 24 | 11 | 33.5 | 25.5 | 8 | 13 | 46 | 547760 | NPFB-T-2G14-R14-FMF | 10 |
| G ³ / ₈ | R ³ / ₈ | 10 | 11 | 20.5 | 55.5 | 26.5 | 13.6 | 39.25 | 29 | 10 | 17 | 82 | 547761 | NPFB-T-2G38-R38-FMF | 10 |
| G ¹ / ₂ | R ¹ / ₂ | 15 | 15 | 25.5 | 66.5 | 31.5 | 15.5 | 47.75 | 35 | 11 | 20 | 133 | 547762 | NPFB-T-2G12-R12-FMF | 10 |
| G ³ / ₄ | R ³ / ₄ | 19 | 19 | 32 | 69.5 | 33 | 16 | 52.5 | 36.5 | 16.5 | 25 | 172 | 547763 | NPFB-T-2G34-R34-FMF | 10 |
| G1 | R1 | 24 | 24 | 39 | 84 | 39 | 17.5 | 64.5 | 45 | 19 | 30 | 298 | 547764 | NPFB-T-2G1-R1-FMF | 10 |

1) Packaging unit quantity

T-fitting NPFB-T

Operating pressure:

-0.95 ... +40 bar

Ambient temperature:

-20 ... +150 °C

Operating medium:

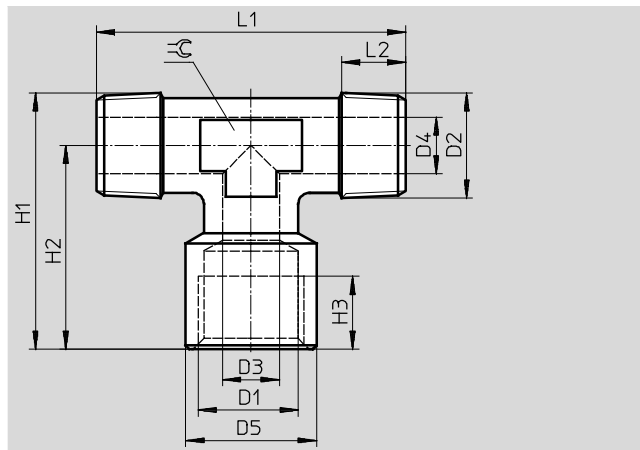
Compressed air in accordance with
ISO 8573-1:2010 [7:--:-]

Material:

Nickel-plated brass

Note on material:

Conforms to RoHS



| Dimensions and ordering data | | | | | | | | | | | | | | |
|-------------------------------|-------------------------------|-----|----|------|----|------|------|------|----|----|--------------|----------|---------------------|------------------|
| Connection | | D3 | D4 | D5 | L1 | L2 | H1 | H2 | H3 | ⊖ | Weight/piece | Part No. | Type | PU ¹⁾ |
| D1 | D2 | ∅ | ∅ | ∅ | | | | | | | [g] | | | |
| G ¹ / ₈ | R ¹ / ₈ | 5.5 | 6 | 13 | 38 | 8 | 24.9 | 20 | 7 | 10 | 23 | 547771 | NPFB-T-G18-2R18-FMM | 10 |
| G ¹ / ₄ | R ¹ / ₄ | 8 | 9 | 16 | 48 | 12.5 | 32 | 25.5 | 8 | 13 | 43 | 547772 | NPFB-T-G14-2R14-FMM | 10 |
| G ³ / ₈ | R ³ / ₈ | 11 | 10 | 20.5 | 53 | 13.6 | 37.5 | 29 | 10 | 17 | 72 | 547773 | NPFB-T-G38-2R38-FMM | 10 |
| G ¹ / ₂ | R ¹ / ₂ | 15 | 15 | 25.5 | 63 | 15.5 | 45.7 | 35 | 11 | 20 | 118 | 547774 | NPFB-T-G12-2R12-FMM | 10 |

1) Packaging unit quantity

Threaded fittings NPFB

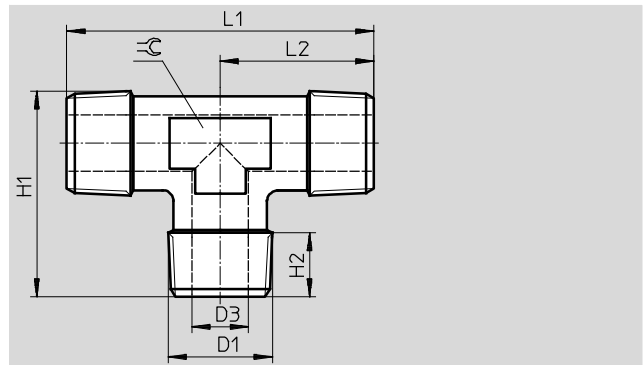
Technical data

T-fitting NPFB-T

Operating pressure:
-0.95 ... +40 bar
Ambient temperature:
-20 ... +150 °C
Operating medium:
Compressed air in accordance with
ISO 8573-1:2010 [7:-:-]

Material:
Nickel-plated brass

Note on material:
Conforms to RoHS



| Dimensions and ordering data | | | | | | | | | | |
|------------------------------|-----|------|------|------|------|----|------------------|----------|---------------|------------------|
| Connection | D3 | L1 | L2 | H1 | H2 | ≅ | Weight/piece [g] | Part No. | Type | PU ¹⁾ |
| D1 | ∅ | | | | | | | | | |
| R $\frac{1}{8}$ | 5.5 | 38 | 19 | 23.9 | 8 | 10 | 20 | 547765 | NPFB-T-3R18-M | 10 |
| R $\frac{1}{4}$ | 8 | 48 | 24 | 30.6 | 12.5 | 13 | 41 | 547766 | NPFB-T-3R14-M | 10 |
| R $\frac{3}{8}$ | 11 | 53 | 26.5 | 34.8 | 13.6 | 17 | 62 | 547767 | NPFB-T-3R38-M | 10 |
| R $\frac{1}{2}$ | 15 | 63 | 31.5 | 42.2 | 15.5 | 20 | 101 | 547768 | NPFB-T-3R12-M | 10 |
| R $\frac{3}{4}$ | 19 | 66.4 | 33.2 | 45 | 16.2 | 25 | 134 | 547769 | NPFB-T-3R34-M | 10 |
| R1 | 24 | 78 | 39 | 54.2 | 17.5 | 30 | 236 | 547770 | NPFB-T-3R1-M | 10 |

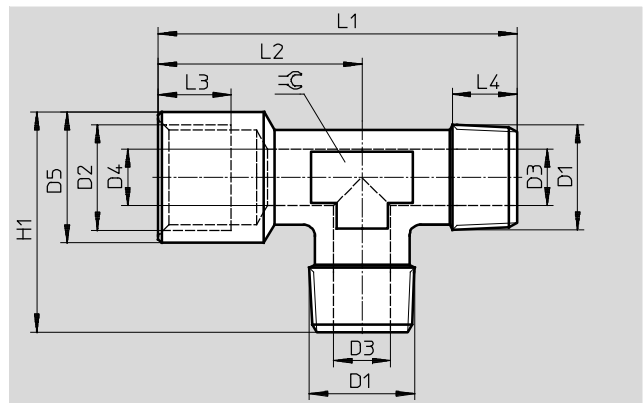
1) Packaging unit quantity

T-fitting NPFB-T

Operating pressure:
-0.95 ... +40 bar
Ambient temperature:
-20 ... +150 °C
Operating medium:
Compressed air in accordance with
ISO 8573-1:2010 [7:-:-]

Material:
Nickel-plated brass

Note on material:
Conforms to RoHS



| Dimensions and ordering data | | | | | | | | | | | | | | |
|------------------------------|-----------------|----|-----|------|------|------|----|------|-------|------------------|----------|--------|---------------------|----|
| Connection | D3 | D4 | D5 | L1 | L2 | L3 | L4 | H1 | ≅ | Weight/piece [g] | Part No. | Type | PU ¹⁾ | |
| D1 | D2 | ∅ | ∅ | ∅ | | | | | | | | | | |
| R $\frac{1}{8}$ | G $\frac{1}{8}$ | 6 | 5.5 | 13 | 39 | 20 | 7 | 8 | 25.5 | 10 | 24 | 547775 | NPFB-T-2R18-G18-MMF | 10 |
| R $\frac{1}{4}$ | G $\frac{1}{4}$ | 9 | 8 | 16 | 49.5 | 25.5 | 8 | 12.5 | 32 | 13 | 43 | 547776 | NPFB-T-2R14-G14-MMF | 10 |
| R $\frac{3}{8}$ | G $\frac{3}{8}$ | 10 | 11 | 20.5 | 55.5 | 29 | 10 | 13.6 | 36.75 | 17 | 72 | 547777 | NPFB-T-2R38-G38-MMF | 10 |
| R $\frac{1}{2}$ | G $\frac{1}{2}$ | 15 | 15 | 25.5 | 66.5 | 35 | 11 | 15.5 | 44.25 | 20 | 117 | 547778 | NPFB-T-2R12-G12-MMF | 10 |

1) Packaging unit quantity

Threaded fittings NPFB

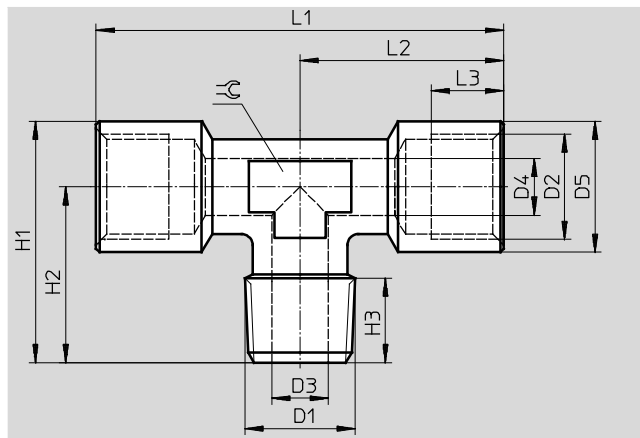
Technical data

T-fitting NPFB-T

Operating pressure:
-0.95 ... +40 bar
Ambient temperature:
-20 ... +150 °C
Operating medium:
Compressed air in accordance with
ISO 8573-1:2010 [7:--:-]

Material:
Nickel-plated brass

Note on material:
Conforms to RoHS



| Dimensions and ordering data | | | | | | | | | | | | | | | |
|-------------------------------|-------------------------------|-----|-----|------|----|------|------|-------|------|------|----|--------------|----------|---------------------|------------------|
| Connection | | D3 | D4 | D5 | L1 | L2 | L3 | H1 | H2 | H3 | ⌀ | Weight/piece | Part No. | Type | PU ¹⁾ |
| D1 | D2 | ∅ | ∅ | ∅ | | | | | | | | [g] | | | |
| M5 | M5 | 2 | 4.2 | 8.5 | 22 | 11 | 5 | 15.75 | 11.5 | 4 | 9 | 8 | 547751 | NPFB-T-3M5-MFF | 10 |
| R ¹ / ₈ | G ¹ / ₈ | 5.5 | 6 | 13 | 40 | 20 | 7 | 25.5 | 19 | 8 | 10 | 26 | 547752 | NPFB-T-R18-2G18-MFF | 10 |
| R ¹ / ₄ | G ¹ / ₄ | 8 | 9 | 16 | 51 | 25.5 | 8 | 32 | 24 | 12.5 | 13 | 46 | 547753 | NPFB-T-R14-2G14-MFF | 10 |
| R ³ / ₈ | G ³ / ₈ | 11 | 10 | 20.5 | 58 | 29 | 10 | 36.75 | 26.5 | 13.6 | 17 | 83 | 547754 | NPFB-T-R38-2G38-MFF | 10 |
| R ¹ / ₂ | G ¹ / ₂ | 15 | 15 | 25.5 | 70 | 35 | 11 | 44.25 | 31.5 | 15.5 | 20 | 130 | 547755 | NPFB-T-R12-2G12-MFF | 10 |
| R ³ / ₄ | G ³ / ₄ | 19 | 19 | 32 | 73 | 36.5 | 16.5 | 49 | 33 | 16 | 25 | 178 | 547756 | NPFB-T-R34-2G34-MFF | 10 |
| R1 | G1 | 24 | 24 | 39 | 90 | 45 | 19 | 58.5 | 39 | 17.5 | 30 | 296 | 547757 | NPFB-T-R1-2G1-MFF | 10 |

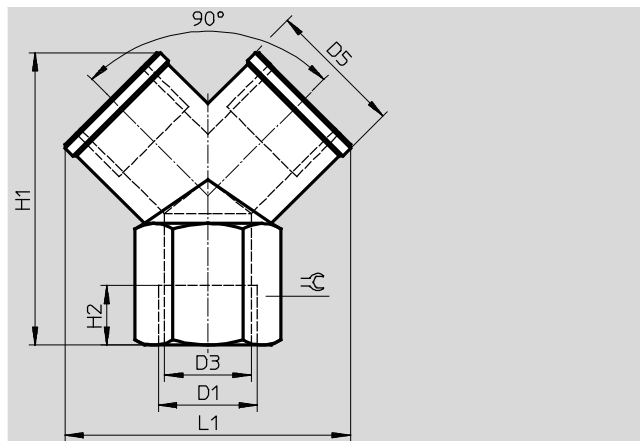
1) Packaging unit quantity

Y-fitting NPFB-Y

Operating pressure:
-0.95 ... +40 bar
Ambient temperature:
-20 ... +150 °C
Operating medium:
Compressed air in accordance with
ISO 8573-1:2010 [7:--:-]

Material:
Nickel-plated brass

Note on material:
Conforms to RoHS



| Dimensions and ordering data | | | | | | | | | | |
|-------------------------------|------|----|------|------|------|----|--------------|----------|---------------|------------------|
| Connection | D3 | D5 | L1 | H1 | H2 | ⌀ | Weight/piece | Part No. | Type | PU ¹⁾ |
| D1 | ∅ | ∅ | | | | | [g] | | | |
| G ¹ / ₈ | 8.7 | 13 | 29 | 26.5 | 8 | 13 | 18 | 547736 | NPFB-Y-3G18-F | 10 |
| G ¹ / ₄ | 11.6 | 17 | 36 | 32 | 11 | 17 | 32 | 547737 | NPFB-Y-3G14-F | 10 |
| G ³ / ₈ | 15 | 21 | 41 | 37 | 11.5 | 20 | 44 | 547738 | NPFB-Y-3G38-F | 10 |
| G ¹ / ₂ | 19 | 26 | 52.5 | 45 | 14 | 25 | 92 | 547739 | NPFB-Y-3G12-F | 10 |

1) Packaging unit quantity

Threaded fittings NPFB

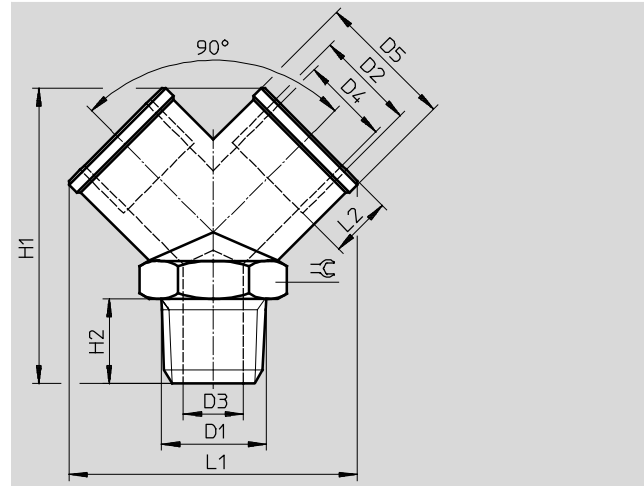
Technical data

Y-fitting NPFB-Y

Operating pressure:
-0.95 ... +40 bar
Ambient temperature:
-20 ... +150 °C
Operating medium:
Compressed air in accordance with
ISO 8573-1:2010 [7:--:-]

Material:
Nickel-plated brass

Note on material:
Conforms to RoHS



| Dimensions and ordering data | | | | | | | | | | | | | |
|-------------------------------|-------------------------------|-----|------|----|------|------|------|------|----|--------------|----------|---------------------|------------------|
| Connection | | D3 | D4 | D5 | L1 | L2 | H1 | H2 | ≈C | Weight/piece | Part No. | Type | PU ¹⁾ |
| D1 | D2 | ∅ | ∅ | ∅ | | | | | | [g] | | | |
| R ¹ / ₈ | G ¹ / ₈ | 5.5 | 8.7 | 13 | 29 | 8 | 32 | 8 | 13 | 22 | 547740 | NPFB-Y-R18-2G18-MFF | 10 |
| R ¹ / ₄ | G ¹ / ₄ | 8 | 11.6 | 17 | 36 | 11 | 38 | 11 | 17 | 38 | 547741 | NPFB-Y-R14-2G14-MFF | 10 |
| R ³ / ₈ | G ³ / ₈ | 11 | 15 | 21 | 41 | 11.5 | 42.5 | 11.5 | 20 | 52 | 547742 | NPFB-Y-R38-2G38-MFF | 10 |
| R ¹ / ₂ | G ¹ / ₂ | 15 | 19 | 26 | 52.5 | 14 | 53 | 14 | 25 | 110 | 547743 | NPFB-Y-R12-2G12-MFF | 10 |

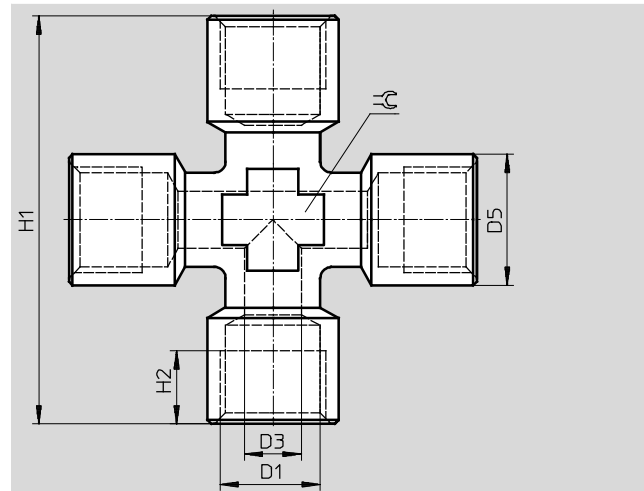
1) Packaging unit quantity

X-fitting NPFB-X

Operating pressure:
-0.95 ... +40 bar
Ambient temperature:
-20 ... +150 °C
Operating medium:
Compressed air in accordance with
ISO 8573-1:2010 [7:--:-]

Material:
Nickel-plated brass

Note on material:
Conforms to RoHS



| Dimensions and ordering data | | | | | | | | | | |
|-------------------------------|--|----|------|----|----|----|--------------|----------|---------------|------------------|
| Connection | | D3 | D5 | H1 | H2 | ≈C | Weight/piece | Part No. | Type | PU ¹⁾ |
| D1 | | ∅ | ∅ | | | | [g] | | | |
| G ¹ / ₈ | | 6 | 13 | 46 | 7 | 13 | 60 | 547779 | NPFB-X-4G18-F | 10 |
| G ¹ / ₄ | | 9 | 17 | 51 | 8 | 13 | 73 | 547780 | NPFB-X-4G14-F | 10 |
| G ³ / ₈ | | 10 | 20.5 | 58 | 10 | 17 | 118 | 547781 | NPFB-X-4G38-F | 10 |
| G ¹ / ₂ | | 15 | 26.2 | 67 | 14 | 21 | 186 | 547782 | NPFB-X-4G12-F | 10 |

1) Packaging unit quantity

Threaded fittings NPFB

Technical data



X-fitting NPFB-X

Operating pressure:

-0.95 ... +40 bar

Ambient temperature:

-20 ... +150 °C

Operating medium:

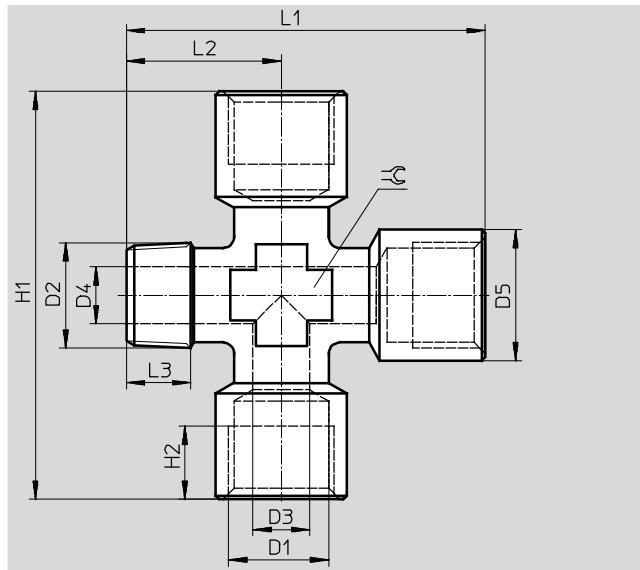
Compressed air in accordance with ISO 8573-1:2010 [7:--:-]

Material:

Nickel-plated brass

Note on material:

Conforms to RoHS



| Dimensions and ordering data | | | | | | | | | | | | | | |
|-------------------------------|-------------------------------|----|----|------|------|------|------|----|----|----|--------------|----------|----------------------|------------------|
| Connection | | D3 | D4 | D5 | L1 | L2 | L3 | H1 | H2 | ⌀ | Weight/piece | Part No. | Type | PU ¹⁾ |
| D1 | D2 | ∅ | ∅ | ∅ | | | | | | | [g] | | | |
| G ¹ / ₈ | R ¹ / ₈ | 6 | 6 | 13 | 46 | 23 | 8 | 46 | 7 | 13 | 52 | 547783 | NPFB-X-R18-3G18-MFFF | 10 |
| G ¹ / ₄ | R ¹ / ₄ | 9 | 8 | 17 | 49.5 | 24 | 12.5 | 51 | 8 | 13 | 67 | 547784 | NPFB-X-R14-3G14-MFFF | 10 |
| G ³ / ₈ | R ³ / ₈ | 10 | 11 | 20.5 | 55.5 | 26.5 | 13.6 | 58 | 10 | 17 | 100 | 547785 | NPFB-X-R38-3G38-MFFF | 10 |
| G ¹ / ₂ | R ¹ / ₂ | 15 | 15 | 26.2 | 64.5 | 31 | 14.0 | 67 | 14 | 21 | 168 | 547786 | NPFB-X-R12-3G12-MFFF | 10 |

1) Packaging unit quantity